

4. DO NOT OPERATE THE TOOL NEAR A FLAMMABLE SUBSTANCE.

Never operate the tool near a flammable substance (e.g., thinner, gasoline, etc). Volatile fumes from these substances could be drawn into the compressor and compressed together with the air and this could result in an explosion.

5. DO NOT USE A WRONG FITTING.

The connector on the tool must not hold pressure when air supply is disconnected. If a wrong fitting is used, the tool can remain charged with air after disconnecting and thus will be able to drive a fastener even after the air line is disconnected, possibly causing injury.

6. DO NOT TOUCH THE TRIGGER UNLESS YOU INTEND TO DRIVER A FASTENER.

Whenever the air supply is connected to the tool, never touch the trigger unless you intend to drive a fastener into the work. It is dangerous to walk around carrying the tool with the trigger pulled, and this and similar actions should be avoided.

7. NEVER POINT THE DISCHARGE OUTLET TOWARD YOURSELF AND PERSONNEL.

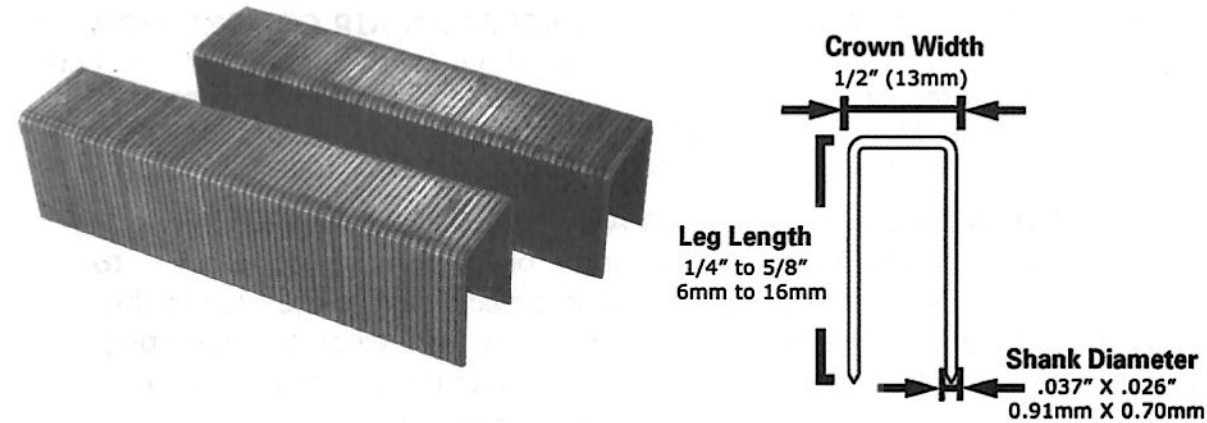
If the discharge outlet is pointed toward people, serious accidents may be caused when misfiring. Be sure the discharge outlet is not pointed toward people when connecting and disconnecting the hose. Loading and not loading the fasteners or similar operations.

8. KEEP HANDS AND BODY AWAY FROM THE DISCHARGE OUTLET

When loading and using the tool, never place a hand or any part of body in fastener discharge area of the tool. It is very dangerous to hit the hands or body by mistake.

Staple Specification

WARNING: Be sure to use only the genuine nails recommended for the this nailer. The use of any other nails can result in tool malfunction, leading to serious injuries.



Parts list and Schematic

NO.	CODE	Description	NO.	CODE	Description
1	511120	O-RING 2.5X1.8	27	322700	LOCK PAWL
2	511100	O-RING 12.2X1.75	28	421510	COVER
3	511060	O-RING 15.5X1.75	29	322660	BACK COVER
4	511110	O-RING 16.4X1.8	30	410620	BUMPER
5	511080	O-RING 16X1.25	31	110490	BODY
6	511090	O-RING 8X2.6	32	322720	SILENCER
7	511140	O-RING 25X2.65	33	410660	DAMPER
8	511050	O-RING 27.5X2.6	34	421450	VALVE GASKET
9	511040	O-RING 31.5X2.65	35	421460	VALVE CAP
10	510390	O-RING 17X2.65	36	421470	TRIGGER
11	322830	PIN	37	310450	VALVE CYLINDER
12	640290	STRAIGHT PIN 3X24	38	421440	VALVE SHAFT
13	640310	STRAIGHT PIN 4X19.5	39	410640	INTERMEDIATE VALVE
14	630300	WASHER	40	322910	CYLINDER CAP
15	610490	BOLT M4X12	41	310540	CYLINDER
16	610500	BOLT M4X16	42	322920	BACK NOSE ASSEMBLY
17	610720	BOLT M4X14	43	310550	COVER
18	310470	END CAP	44	210880	FRONT COVER
19	621030	TENSION SPRING	45	322930	DRIVER BLADE
20	511130	O-RING 19.5X3	46	322750	PULLEY
21	322690	FEED BAR	47	322670	PIN
22	421430	PISTON	48	421490	STOP
23	421480	VALVE PIN	49	640170	ROLL PIN 3X28
24	421500	END PIECE	50	410630	RUBBER HANDLE
25	421520	COVER	51	640320	STRAIGHT PIN B4X29
26	621040	LEG SPRING	P1.	D322931	DRIVER UNIT

