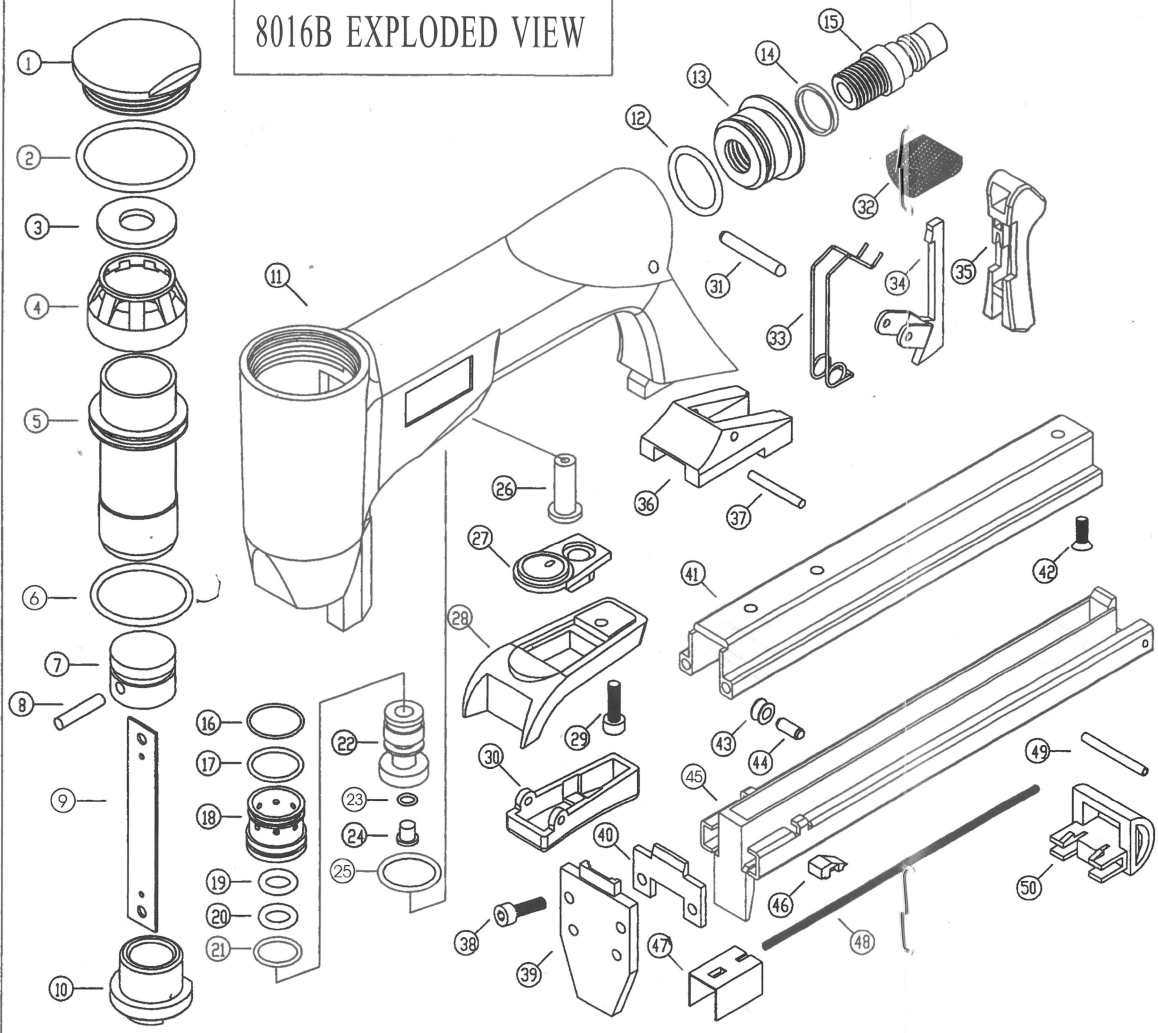


8016B EXPLODED VIEW



Inder No.	DESCRIPTION	Inder No.	DESCRIPTION
1	EXHAUST CAP	27	VALVE BASE
2	O-RING	28	TRIGGER BASE
3	UP WASHER	29	BOLT (M4X10)
4	CYLINDER RING	30	TRIGGER
5	CYLINDER	31	END CAP PIN
6	O-RING	32	IRON THREAD
7	BUMPER	33	LATCH SPRING
8	BUMPER PIN	34	TRIGGER
9	DIVER	35	TRIGGER SET
10	WASHER	36	SUPPORT
11	BODY	37	PIN
12	O-RING	38	BOLT (M4X10)
13	END CAP	39	COVER PLATE
14	PLUG WASHER	40	COVER PLATE
15	PLUG	41	MANGZINE SEAT
16	O-RING	42	BOLT (M4x10)
17	O-RING	43	WHEEL
18	TRIGGER BASE	44	WHEEL AXES
19	O-RING	45	MANGZINE CAP
20	O-RING	46	LIMITED BLOCK
21	O-RING	47	PUSHER
22	VALVE BASE	48	POSHER SPRING
23	O-RING	49	PIN
24	TRIGGER VALVE STEN	50	LATCH 2
25	O-RING		
26	VALVE COVER		