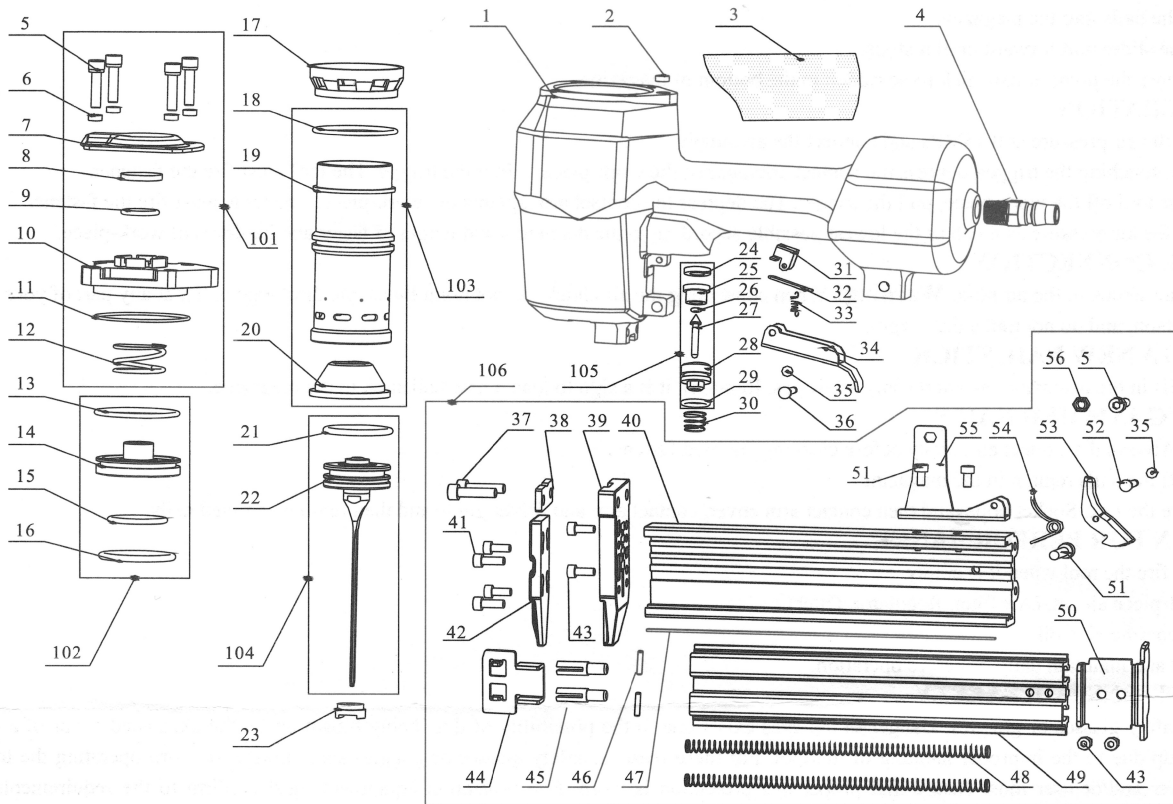
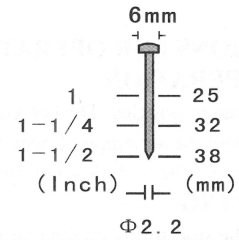


SPECIFICATIONS TECHNICAL DATA

Product Model : ST38

Height	235mm
Width	74mm
Length	298mm
Weight	2.2KG
Operating Pressure	0.5 to 0.8MPa (70 to 110 PS I)
Loading Capacity	70 Nails

14 gauge brads



Index	Description	Code	Index	Description	Code	Index	Description	Code
1	Main Body	A204801	22	Driver Assembly	A503006	43	Hex.Bolt M4×114	B1504014
2	Seal	A201904	23	Ring	A301901	44	Pusher	A510705
3	Rubber Sleeve	204905	24	Seal	A201504	45	Pusher Base	A501705
4	Air Plug	B02111	25	Valve head	A201503	46	Spring Pin	B2702512
5	Hex.Bolt M5×22	B1505022	26	O-Ring	B01050190	47	Steel Bar	A501703
6	Spring Washer	B22050	27	Valve stem	A201501	48	Spring	A204705
7	Exhaust Cover	A204401	28	Valve guide	A201502	49	Magazine B	A510704
8	Rectangular Ring	A501403	29	O-Ring	B01015190	50	Tail Cover	A510706
9	O-Ring	B01203240	30	Spring	A201902	51	Hex.Bolt M4×8	B1404008
10	Cylinder Cap	A204402	31	Safety Trigger	A204904	52	Stepped Pin	A501712
11	O-Ring	B01406120	32	Spring	A204903	53	Magazine Hook	A501711
12	Spring	A204302	33	Spring	A204902	54	Spring	A501710
13	O-Ring	B01453250	34	Trigger	A204901	55	Bracketed	A503708
14	Valve Piston	A204301	35	Ring	A201906	56	Hex. Nut M5	B08050
15	O-Ring	B01310350	36	Stepped Pin	A201901			
16	O-Ring	B01410350	37	Hex.Bolt M5×25	B1505025	101	Cylinder Cap Part	A204001
17	Collar	A204203	38	Driver Guide Cover	A301713	102	Valve Piston Part	A204002
18	O-Ring	B01445250	39	Driver Guide	A510701	103	Cylinder Part	A204004
19	Cylinder	A204201	40	Magazine A	A510703	104	Driver Assembly Part	A503001
20	Bumper	A204202	41	Hex.Bolt M4×10	B1504010	105	Switch Part	A204016
21	O-Ring	B01363350	42	Driver Guide Plate	A510702	106	Magazine Part	A510001