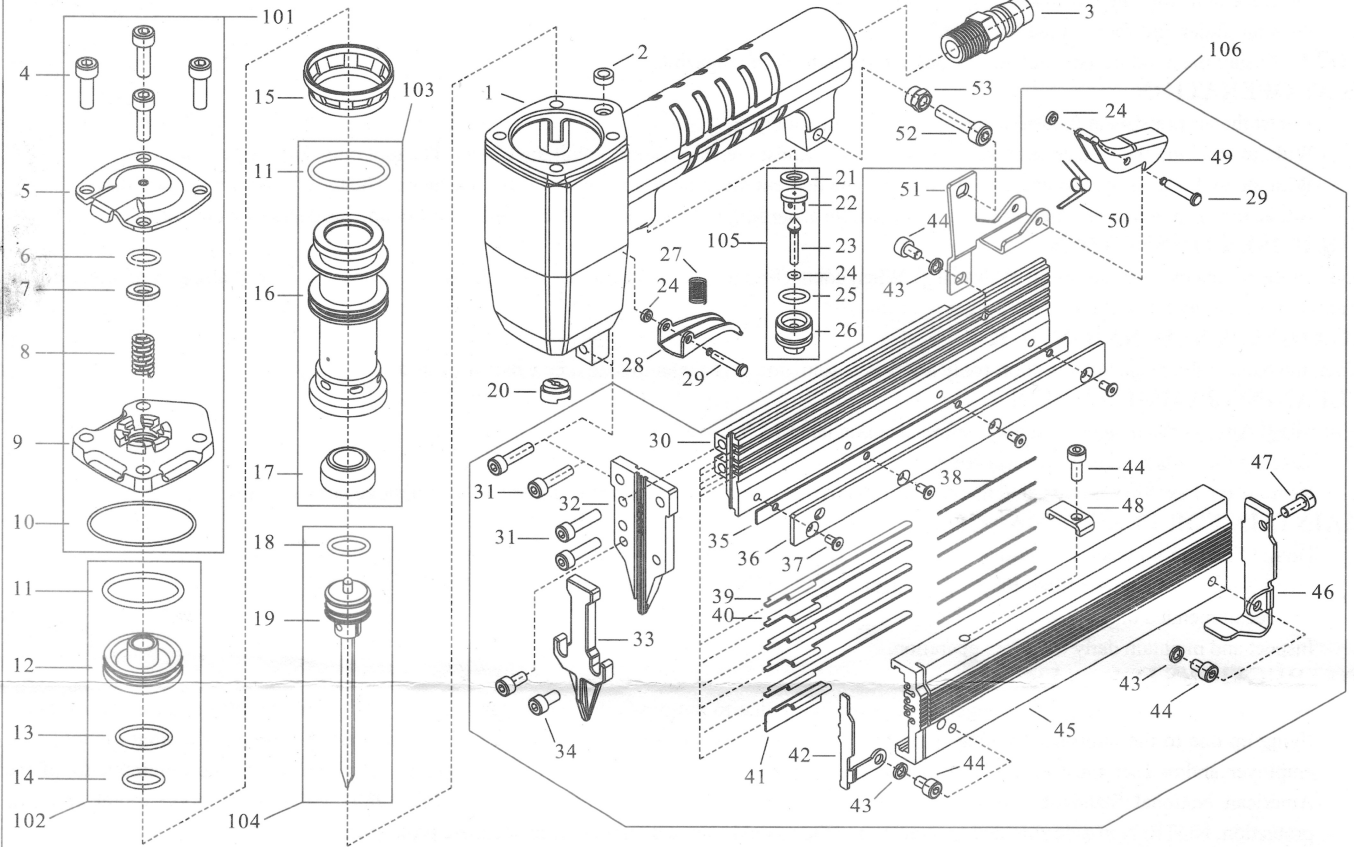


SPECIFICATIONS TECHNICAL DATA

Product Model : P630

Height	175 mm
Width	48 mm
Length	210 mm
Weight	0.9KG
Operating Pressure	0.4 to 0.7MPa (60 to100 PS I)
Loading Capacity	100 Nails

1/2	12
5/8	15
3/4	18
7/8	22
1	25
1-3/16 (Inch)	30 (mm)
0.025"	Φ0.63



Index	Description	Code	Index	Description	Code	Index	Description	Code
1	Main Body	A103801	21	Seal	A201504	41	Pusher	A103705
2	Seal	A201904	22	Valve head	A201503	42	Baffle	A103712
3	Air Plug	B02111	23	Valve stem	A201501	43	Spring Washer	B22040
4	Hex.Bolt M5×18	B1505018	24	O-Ring	B01054180	44	Hex.Bolt M4×16	B1504006
5	Exhaust Cover	A301401	25	O-Ring	B01015190	45	Magazine B	A103704
6	O-Ring	B01167250	26	Valve guide	A201502	46	Tail Cover	A103708
7	Rectangular Ring	A301403-1	27	Spring	A201902	47	Hex.Bolt M4×8	B1304008
8	Spring	A301301	28	Trigger	A201913	48	Stop block	A103713
9	Cylinder Cap	A301402	29	Stepped Pin	A201901	49	Magazine Hook	A501711
10	O-Ring	B01350100	30	Magazine A	A103703	50	Spring	A103715
11	O-Ring	B01363250	31	Hex.Bolt M4×14	B1504014	51	Bracket	A103711
12	Valve Piston	A201302	32	Driver Guide	A103701	52	Hex.Bolt M5×20	B1505020
13	O-Ring	B01273300	33	Driver Guide Cover	A103702	53	Hex. Nut M5	B08050
14	O-Ring	B01170350	34	Hex.Bolt M4×10	B1504010			
15	Collar	A301203	35	Gasket	A103709	101	Cylinder Cap Part	A301001-1
16	Cylinder	A103201	36	Limit plate	A103710	102	Valve Piston Part	A301002
17	Bumper	A103202	37	Hex.Bolt M3×6	B4103006	103	Cylinder Part	A301004
18	O-Ring	B01182280	38	Spring	A103714	104	Driver Assembly Part	A317006
19	Driver Assembly	A103002	39	Pusher (1)	A103706	105	Switch Part	A201007-1
20	Ring	A313901	40	Pusher (2)	A103707	106	Magazine Part	A103001